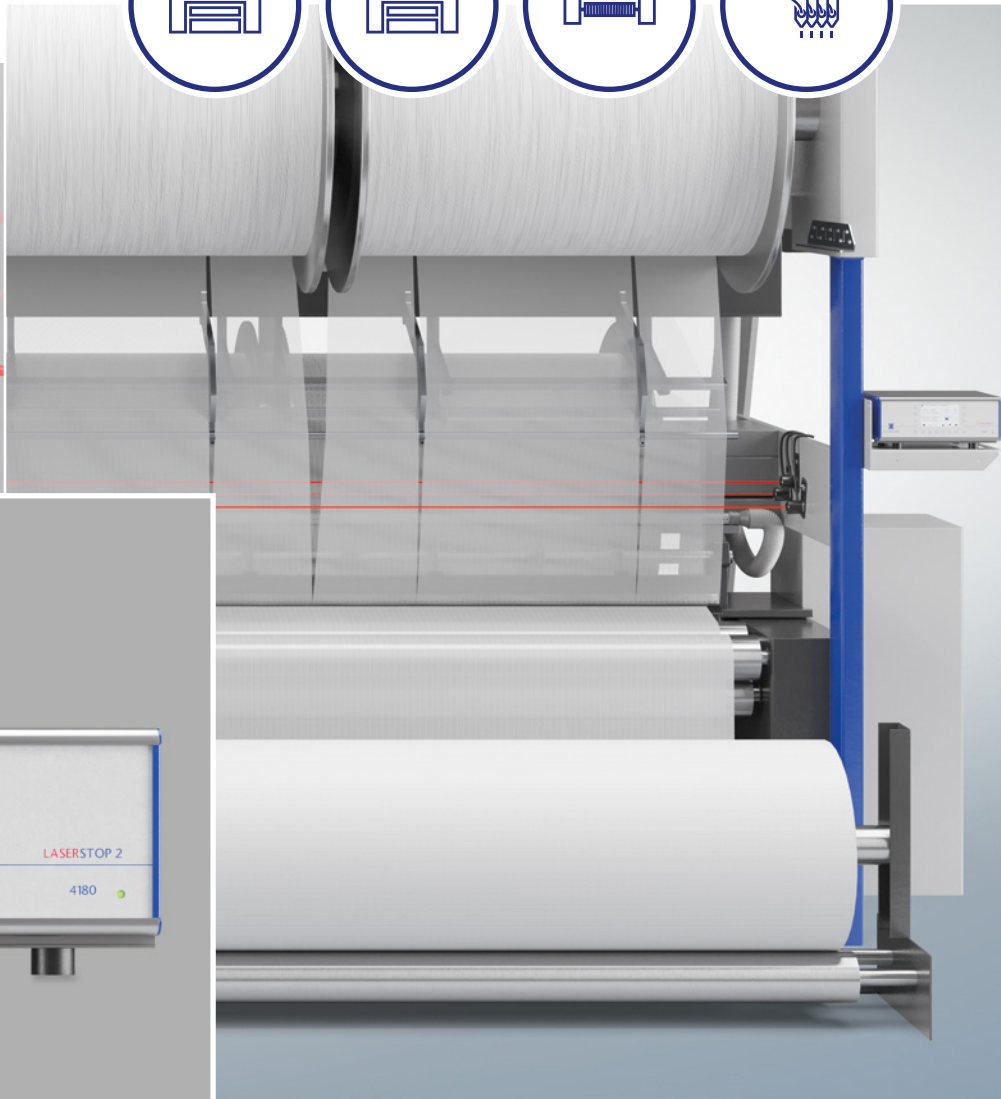
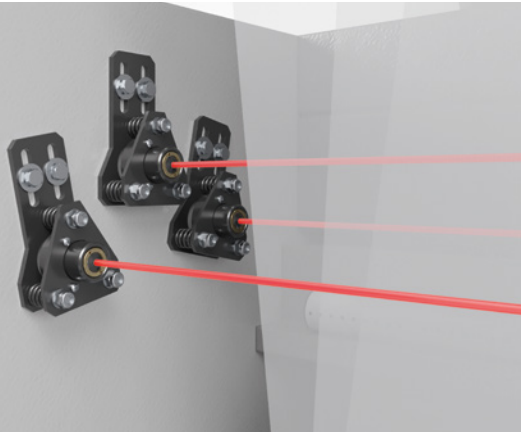
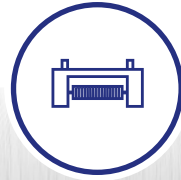




PROTECHNA

A VANDEWIELE COMPANY



LASERSTOP 2 4180

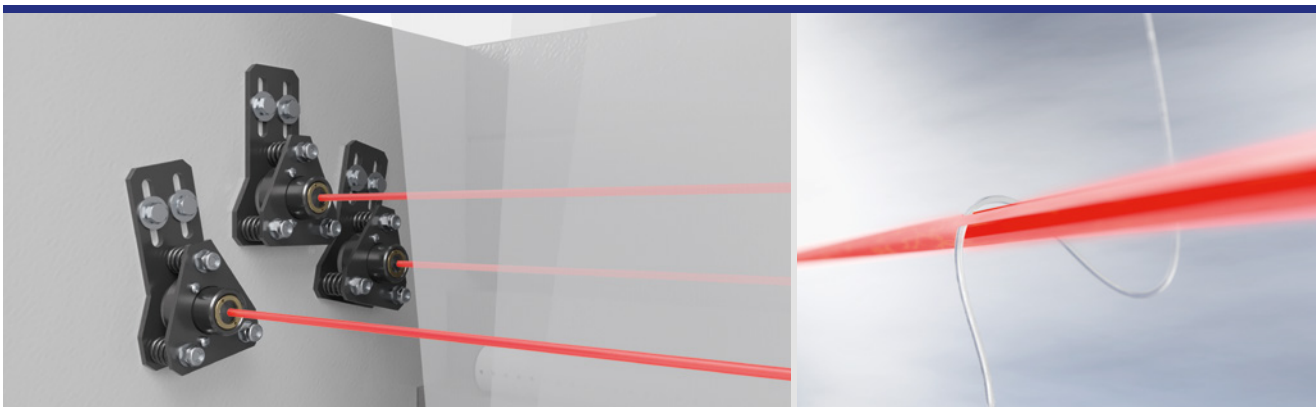
Thread Break Detector for Tricot and Raschel Machines

LASERSTOP 2 4180

Thread Break Detector for Tricot and Raschel Machines

- Stops the machine immediately in case of thread breakage
- Light barriers using innovative laser technology
- Covers a wide range of applications

The laser light barrier system LASERSTOP 2 4180 sets a standard in reliability and safety in the field of thread break detection on Tricot and Raschel, on Weft insertion, Tufting, Weaving and Warping machines. The system is based on the most up-to-date laser technology for the light barriers and an evaluation incorporating the most recent digital signal processing for the control unit.



HIGH OPERATIONAL RELIABILITY

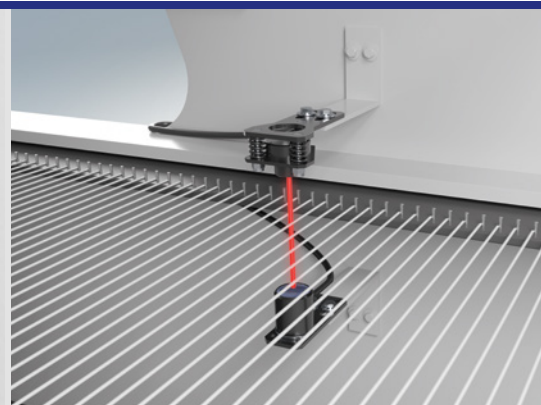
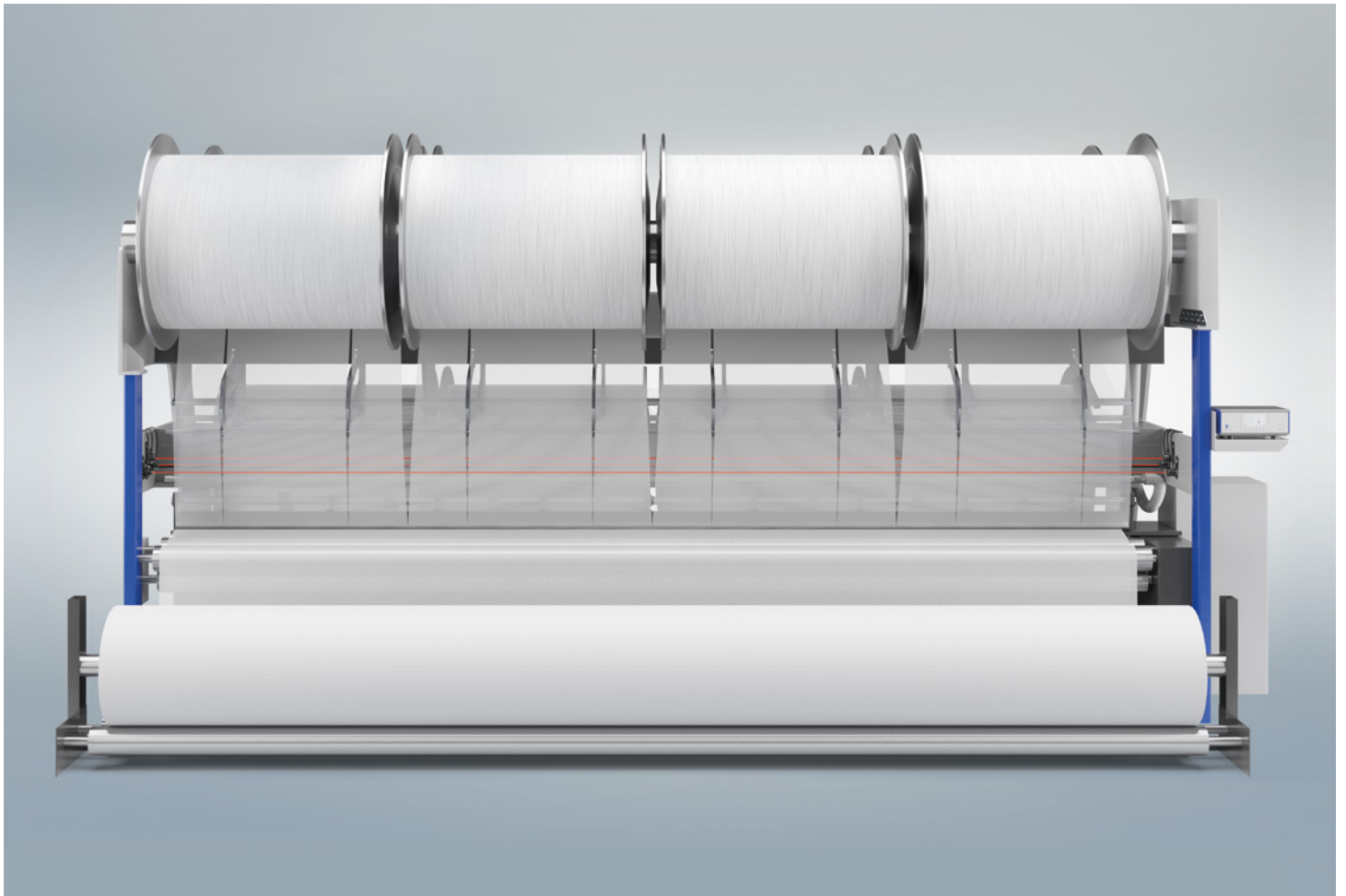
- Computer-controlled signal processing
- Automatic surveillance
- Compact construction of the light barriers
- Visible, safe red light laser (laser class 1)

VARIOUS APPLICATION POSSIBILITIES

- Covers a wide range of applications and detects e.g. thread breakages in the warp sheet and the needle area, as well as at the weft insertion position and in the weaving shed
- Automatic adjustment of the system to the machine speed
- Connection of up to 8 light barriers

RELIABLE STOPPING OF THE MACHINE

- Thread detection from 12 dtex up
- Constant sensitivity across the complete working width of the machine
- Vibration insensitive receivers by an especially developed measuring principle



EASY OPERATION

- 4.3-inch colour display to indicate the operating state of the light barriers
- Setting the operating parameters is carried out directly on the control unit using a wear-resistant foil keyboard
- Easy to operate menu control in different user languages

BLOWER SYSTEM (OPTIONAL)

- High-pressure blower and plastic tubes with a row of holes to direct the air towards the warp sheet

TECHNICAL DATA

- Wide-range voltage input: 115 V - 230 V / 50 Hz - 60 Hz
- Stop contact: Potential-free relay contact
- Several operating modes selectable (Standard / Duo / Synchro / Weft)



Formed in 1956, PROTECHNA has been part of the Belgian VANDEWIELE Group since 2011. As a leading supplier of high-quality thread and fabric control systems for use in many textile manufacturing processes, we have continuously expanded our product range for the textile processing and textile machinery construction industries over the years. Together with a global network of more than 60 sales partners, we offer our customers a comprehensive portfolio of services and made-to-measure support.

Our Technical Department is responsible for the continuous improvement and enhancement of our high-tech products. Designing and developing individual solutions for the textile industry and working closely with leading textile machine producers creates a strong foundation for our innovative approach to business and the superior performance of our products.

Our quality assurance department uses in-depth controls to ensure that only first-class goods are shipped out to our customers. The resulting reliability and outstanding longevity of our products enjoy a well-earned reputation throughout our markets.

The quality of our work and the success of our company is measured by one all-important metric: customer satisfaction.



PROTECHNA

A VANDEWIELE COMPANY

PROTECHNA Herbst GmbH & Co. KG

Lilienthalstrasse 9 | 85579 Neubiberg | Germany

Phone +49 89 608 114-0 | Fax +49 89 608 114-48

info@protechna.de

www.protechna.de